

*Lightweight and easily
transportable*

*Agile and stable on extending
tracks*

*Radio-controlled proportional and
simultaneous controls*

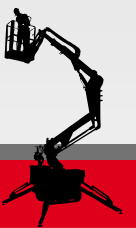
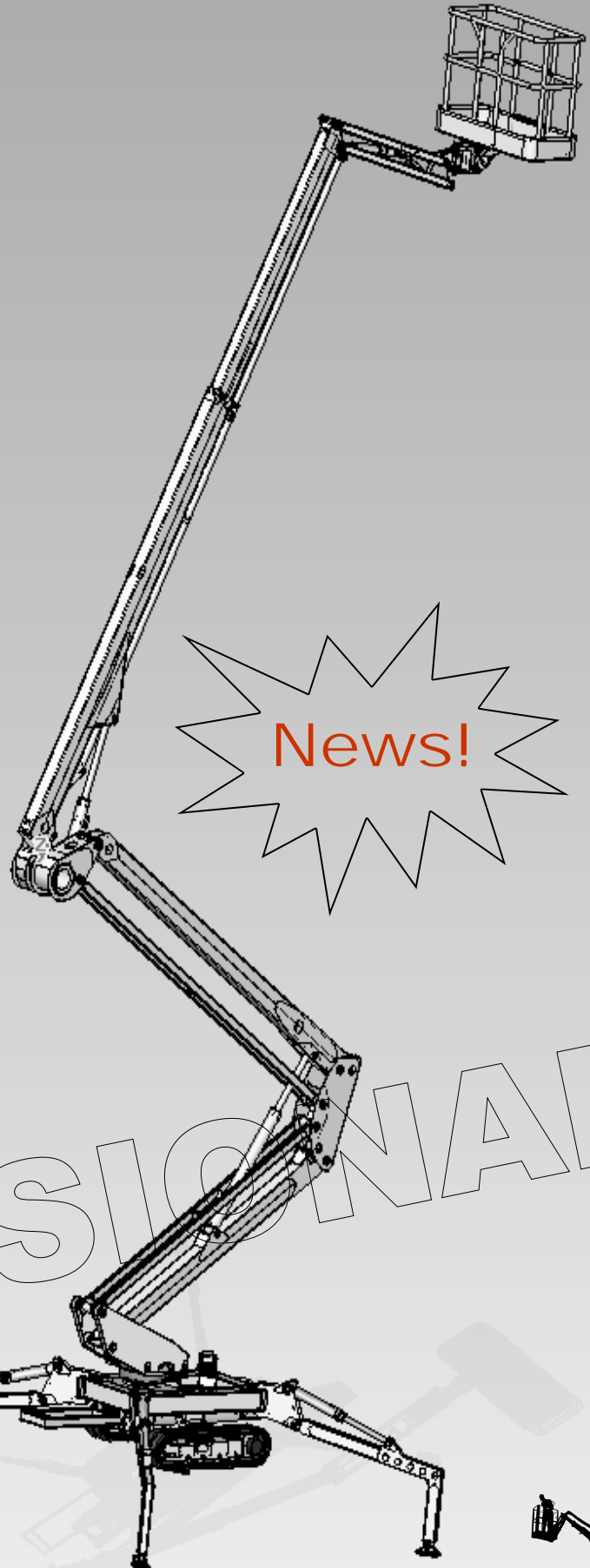
*Articulated boom with fly-Jib for
greater versatility*

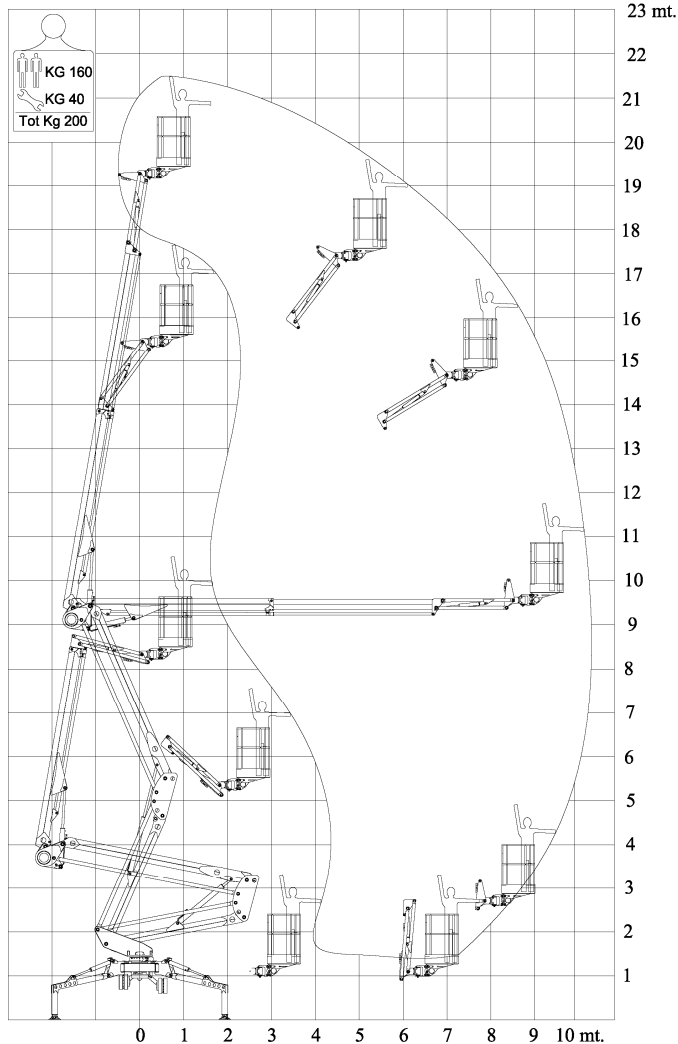
*Automatic outreach control
system*

Easily maintained

*Dual power AC Electric & petrol/
diesel engine*

*No exposed hoses or cables on
the boom*

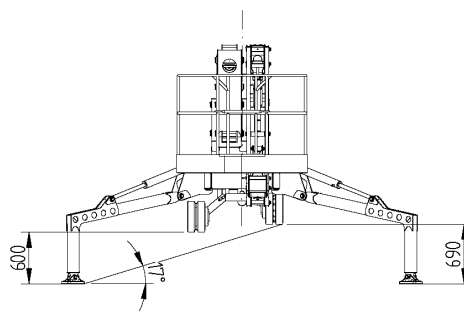
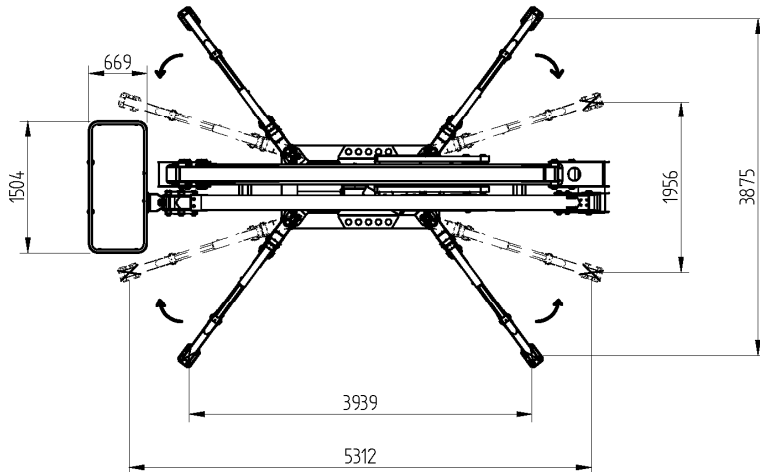
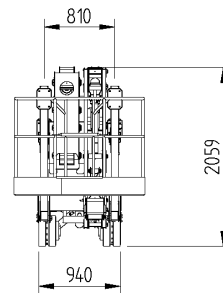
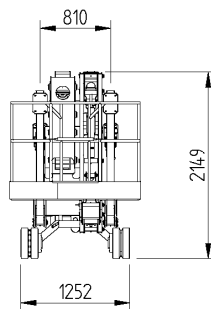
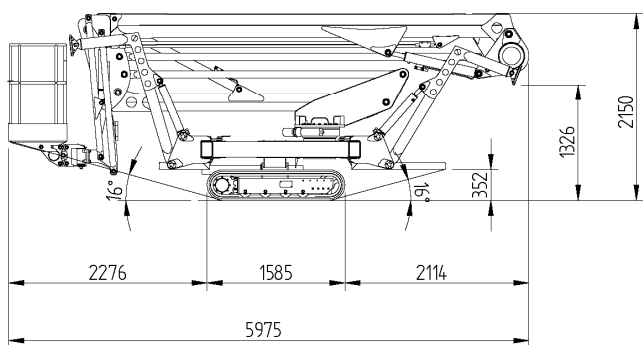




TECHNICAL DATA	
Max working height	m 21,70
Working height to the basket floor	m 19,70
Max side outreach	m 10,30
Turret rotation	° 365°
Cage dimension (Aluminium)	m 1,50x0,70x1,10
Rotation cage	° 90+90
Max cage capacity (2 people)	kg 200
Length with machine in stowed position	mm 5970 or
Minimum width in stowed position	mm 1000
Minimum height in stowed position	mm 2065
Overhall dimensions with stabilised machine	Mm 3780x4070 mm 2030x5535
Max driving speed	Km/h 2,5
Max gradeability	deg 11° (44%)
Max side gradeability	deg 16° (30%)
Total weight	kg 3000
Tracks pressure on ground	N/ cm2 4,26
Max force on the ground	daN 2000
Petrol engine	Hprp 13/3200
iGX440 Honda	m 15/3600
Z602E Kubota	Hprp
Diesel engine	m

STANDARD FEATURES:
Radiocontrol
Adjustable stabilised position
Automatic outreach control
Load control in the cage
Cage rotation 90°+90°
Extending tracks
110 VAC7220 electropump for building use
Air/Water outlet in the cage
Complying with EN280/AS1418.10/B354,4

OPTIONALS:
No marking tracks
12 VDC emergency motor pump kit
Work light in the cage
110/220 V. AC 16 AMP Outlet in the cage
Oil kit for artic use
Overize plates for the stabilitation
Automatic stabilisation electronic control



DATA DIMENSIONS AND FEATURES ARE INDICATIVE AND NOT BINDING.

