

PLATFORM BASKET

SELF-PROPELLED AERIAL WORK PLATFORMS

...Made simple



SPIDER 18.90

**Lightweight and easily
Transportable**

**Articulated boom with fly-jib
for greater versatility.**

**Excellent weight/horizontal
outreach ratio.**

**Full working height with
200kg cage capacity.**

**Fully hydraulic proportional
and simultaneous controls.**

**Dual power Diesel or Petrol
engine + mains 110/220 Vac**

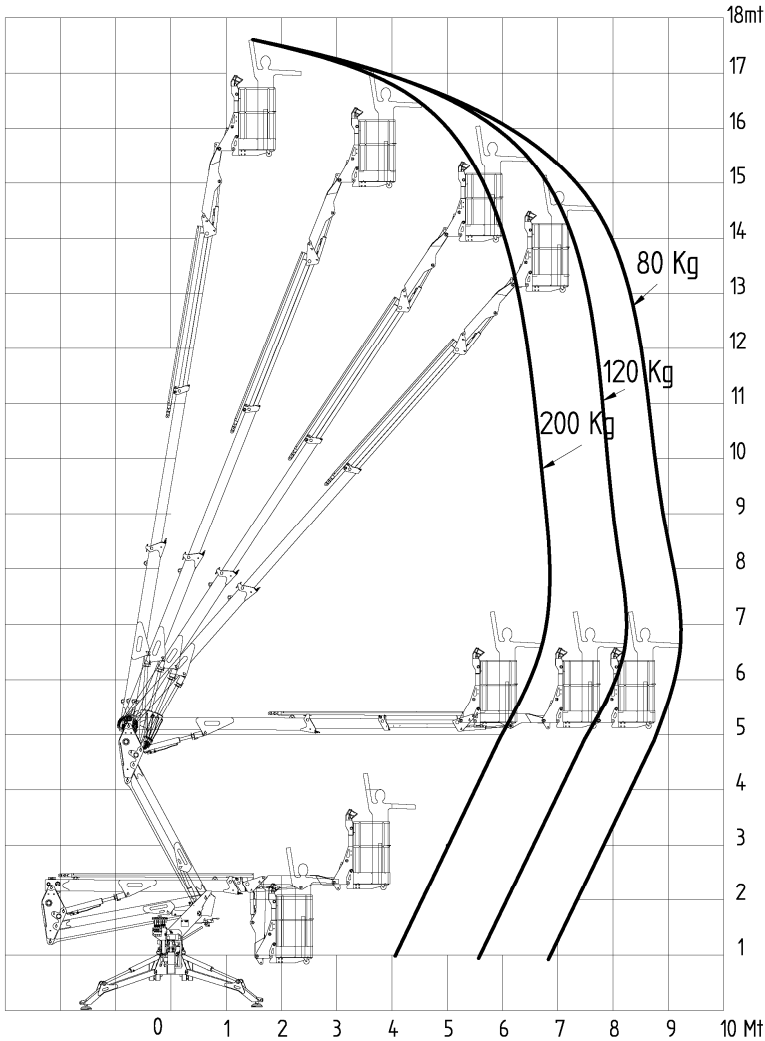
Automatic outreach limiter

Easy maintenance

**Variable track width for
extra stability while
travelling**

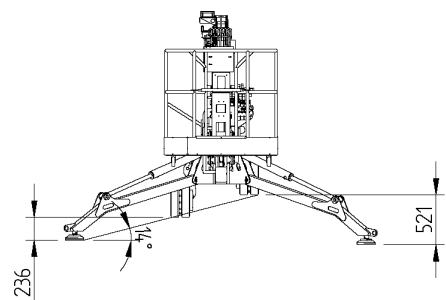
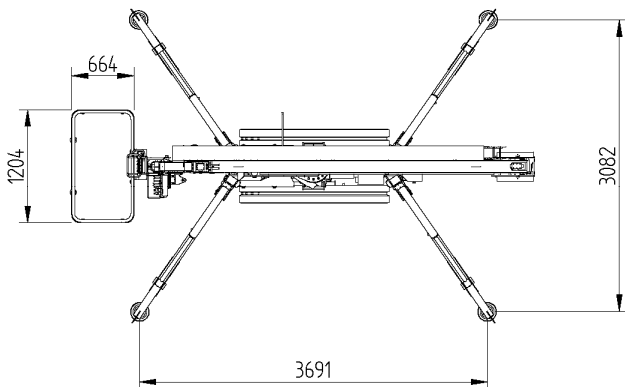
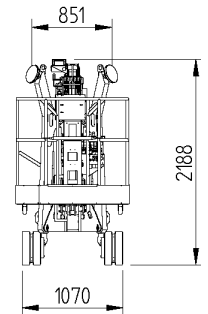
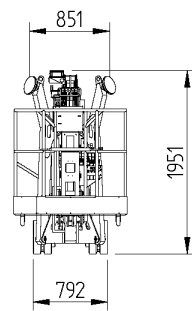
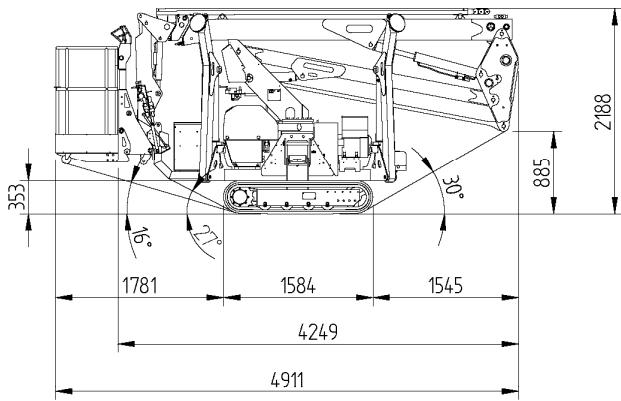


TRACKED SELF-PROPELLED PLATFORMS



Technical data	
Max working height	m 17,70
Working height to the basket floor	m 15,70
Max side outreach (80kg)	m 9,30
Turret rotation	Deg. 360°
Cage dimensions (Aluminium)	L x W m 1,20x0,66
Rotation cage	Deg. N/A
Max cage capacity (2 people)	kg 200
Lenght in stowed position	mm 4910
Detached cage dim.	4250
Minimum width in stowed position	mm 792
Minimum height in stowed position	mm 1951
Stabilization foot-print	m 3,70x3,10
Max driving speed	Km/h 1,50
Max gradeability	deg 27° (51%)
Max side gradeability	deg 14° (25%)
Total weight	kg 2300
Track pressure on ground	N/cm ² 5,25
Max force on the ground	daN 1500
GX390 Honda Petrol	Hp/RPM 11/3600
or	
L100N—Yanmar Diesel	Hp/RPM 9/3200

STANDARD FEATURES:
Emergency hand pump
Quick and easily removeable cage
Hour meter
Stabilisers/booms interlocking
Automatic safe working device
Black rubber tracks
110/220 Vac Electric motor for indoor use
Variable tracks width
Complying with EN280 - AS1418.10 - B354-4
OPTIONALS:
Non-marking tracks
Emergency descent electric power-pack 12 VDC
110/220 Vac outlet in the cage
Cage anti-collision kit
Air&water outlet in the cage
Customised color.
Drive & Stabilization by radio remote control.
Electronic planarity sensor & interlocking device.
Increased size of foot-plates (350mm diam)



DATA, DIMENSIONS AND FEATURES ARE INDICATIVE AND NOT BINDING.

